

THIS DRAWING IS UNPUBLISHED.

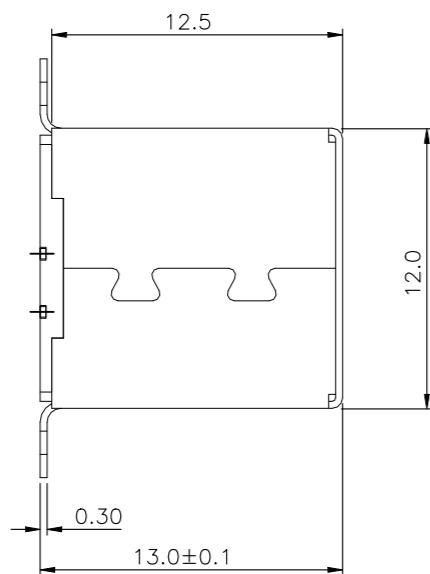
RELEASED FOR PUBLICATION

© COPYRIGHT - TE Connectivity Ltd.

ALL RIGHTS RESERVED.

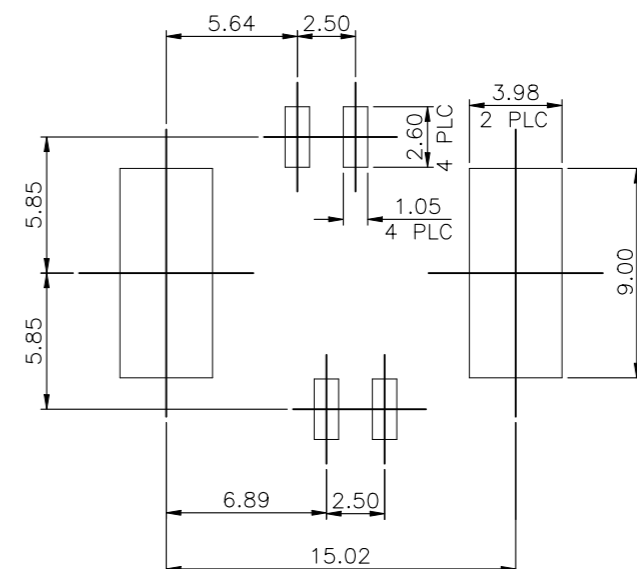
REVISIONS

P	LTR	DESCRIPTION	DATE	DWN	APVD
C		REVISED PER ECO-21-001024	26JUL2021	JY	SZ



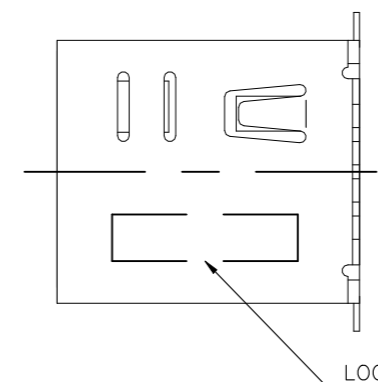
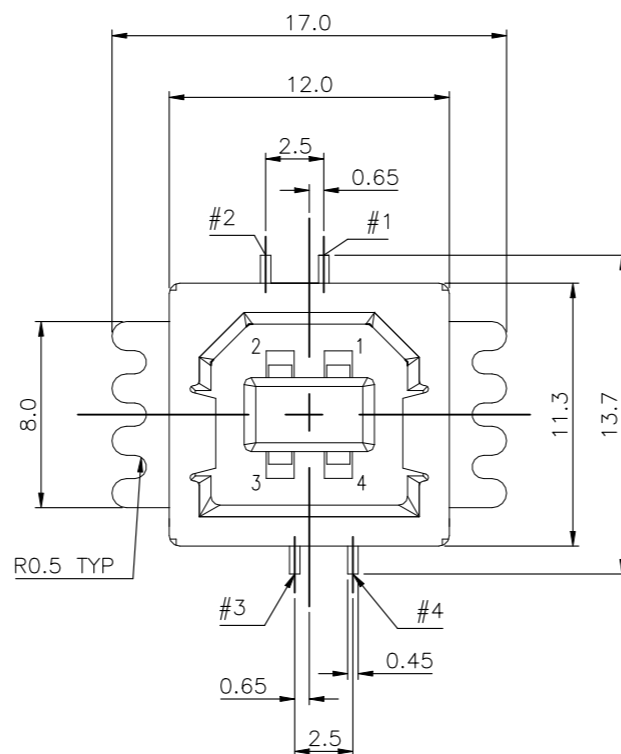
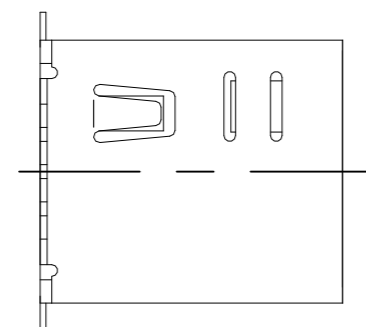
NOTES :

- MATERIAL:**
HOUSING: THERMOPLASTIC, UL 94V-0, COLOR: BLACK.
CONTACT: PHOSPHOR BRONZE, THICKNESS=0.25mm.
SHELL: STAINLESS STEEL, THICKNESS=0.30mm.
- FINISH:**
CONTACT: GOLD FLASH OVER
0.762um [30u"] MIN. PALLADIUM-NICKEL PLATING ON CONTACT AREA,
2.54um [100u"] MIN. MATTE-TIN PLATING ON SOLDER TAILS,
1.27um [50u"] MIN. NICKEL UNDERPLATED OVER ALL.
SHELL: 2.54um [100u"] MIN. NICKEL PLATED OVER
1.27um [50u"] MIN. Cu UNDERPLATED.
- REFLOW SOLDER CAPABLE TO 260°C PER TE SPEC 109-201, CONDITION B.




RECOMMENDED PCB LAYOUT (TOLERANCE: ±0.05)

0.10 ALL SOLDER TAILS AND PEGS



NATURAL	1734517-3
BLACK	1734517-1
H/S COLOR	PART NUMBER

THIS DRAWING IS A CONTROLLED DOCUMENT.		DWN	20MAR2019	 TE Connectivity Ltd.											
DIMENSIONS: mm		CHK	21MAR2019												
TOLERANCES UNLESS OTHERWISE SPECIFIED:		APVD	21MAR2019												
<table border="1"> <tr> <td>0 PLC</td> <td>± 0.38</td> </tr> <tr> <td>1 PLC</td> <td>± 0.25</td> </tr> <tr> <td>2 PLC</td> <td>± 0.13</td> </tr> <tr> <td>3 PLC</td> <td>± 0.05</td> </tr> <tr> <td>4 PLC</td> <td>± -</td> </tr> <tr> <td>ANGLES</td> <td>± 3°</td> </tr> </table>		0 PLC	± 0.38			1 PLC	± 0.25	2 PLC	± 0.13	3 PLC	± 0.05	4 PLC	± -	ANGLES	± 3°
0 PLC	± 0.38														
1 PLC	± 0.25														
2 PLC	± 0.13														
3 PLC	± 0.05														
4 PLC	± -														
ANGLES	± 3°														
MATERIAL		PRODUCT SPEC	108-57538	USB B TYPE, TOP ENTRY, 4 POSITION, SMT TYPE											
FINISH		APPLICATION SPEC	-	SIZE	A3										
-		WEIGHT	-	CAGE CODE	00779										
-		CUSTOMER DRAWING		DRAWING NO	C-1734517										
-		SCALE		N/A	SHEET										
-		SHEET		1 OF 3	REV										
-		REV		C											

THIS DRAWING IS UNPUBLISHED.

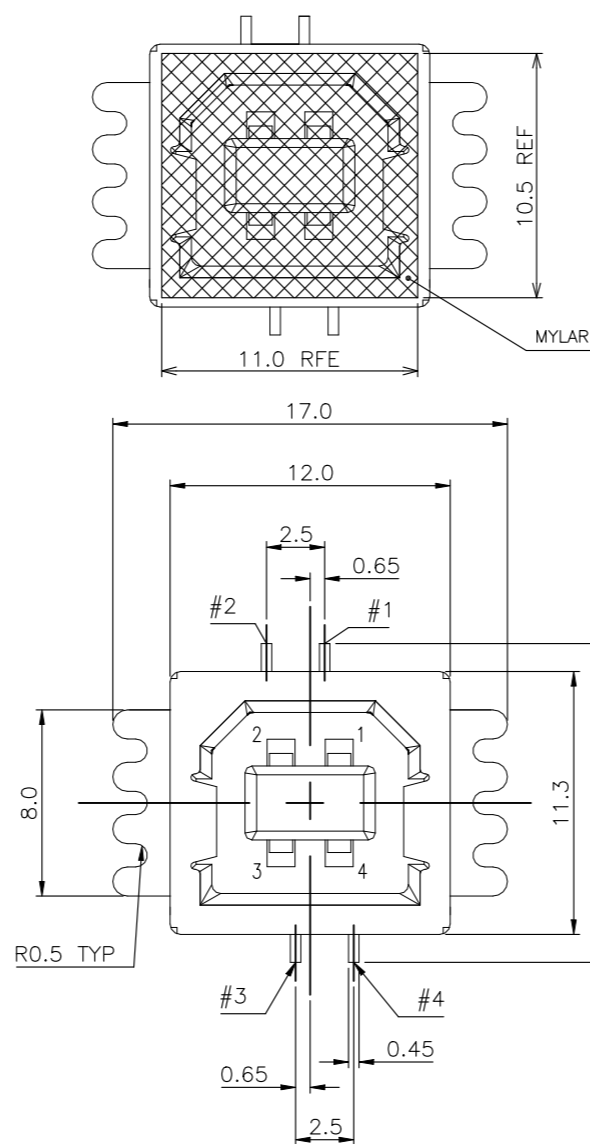
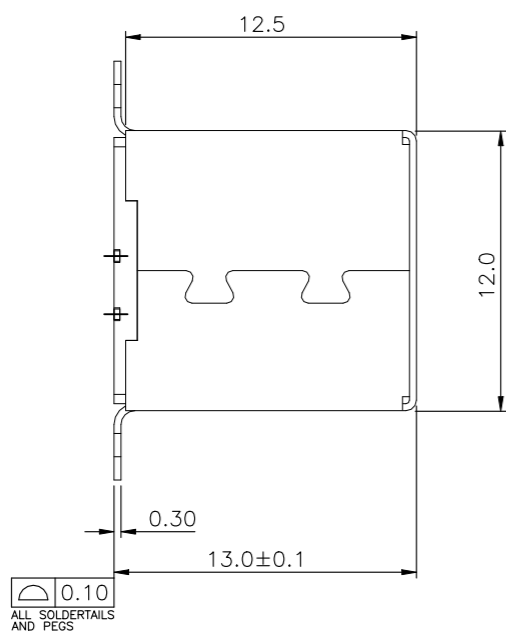
RELEASED FOR PUBLICATION

REVISIONS

© COPYRIGHT - TE Connectivity Ltd.

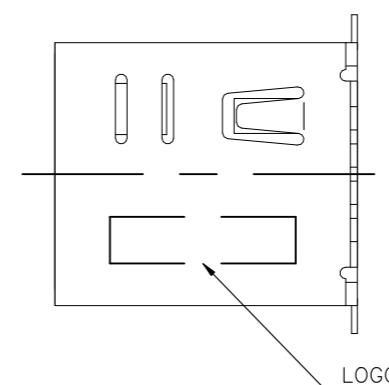
ALL RIGHTS RESERVED.

P	LTR	DESCRIPTION	DATE	DWN	APVD
-	-	SEE SHEET 1	-	-	-



NOTES :

- MATERIAL:**
 HOUSING: THERMOPLASTIC, UL 94V-0, COLOR: BLACK.
 CONTACT: PHOSPHOR BRONZE, THICKNESS=0.25mm.
 SHELL: STAINLESS STEEL, THICKNESS=0.30mm.
 MYLAR: POLYIMIDE FILM ADHESIVE TAPE, T=0.35MM
 (HIGH TEMPERATURE-RESISTANT RANGE: 255°C TO 260°C, 5-10S)
- FINISH:**
 CONTACT: GOLD FLASH OVER
 0.762um [30u"] MIN. PALLADIUM-NICKEL PLATING ON CONTACT AREA,
 2.54um [100u"] MIN. MATTE-TIN PLATING ON SOLDER TAILS,
 1.27um [50u"] MIN. NICKEL UNDERPLATED OVER ALL.
 SHELL: 2.54um [100u"] MIN. NICKEL PLATED OVER
 1.27um [50u"] MIN. Cu UNDERPLATED.
- REFLOW SOLDER CAPABLE TO 260°C PER TE SPEC 109-201, CONDITION B.**



SHOWN AS: 1734517-2

THIS DRAWING IS A CONTROLLED DOCUMENT.		DWN	20MAR2019	STE TE Connectivity Ltd.	
		CHK	21MAR2019		
DIMENSIONS: mm		APVD	21MAR2019	NAME	
TOLERANCES UNLESS OTHERWISE SPECIFIED:		PRODUCT SPEC		USB B TYPE, TOP ENTRY, 4 POSITION, SMT TYPE	
0 PLC	± 0.38	108-57538			
1 PLC	± 0.25	APPLICATION SPEC			
2 PLC	± 0.13	SIZE	CAGE CODE	DRAWING NO	RESTRICTED TO
3 PLC	± 0.05	-		A3	00779
4 PLC	± -	-		C-1734517	
ANGLES	± 3°	WEIGHT		-	
MATERIAL	FINISH	CUSTOMER DRAWING		SCALE	N/A
-	-			SHEET	2 OF 3
				REV	C

THIS DRAWING IS UNPUBLISHED.

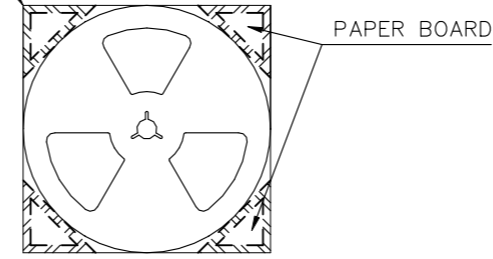
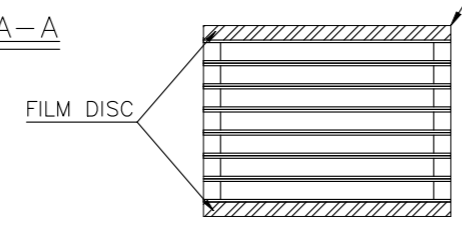
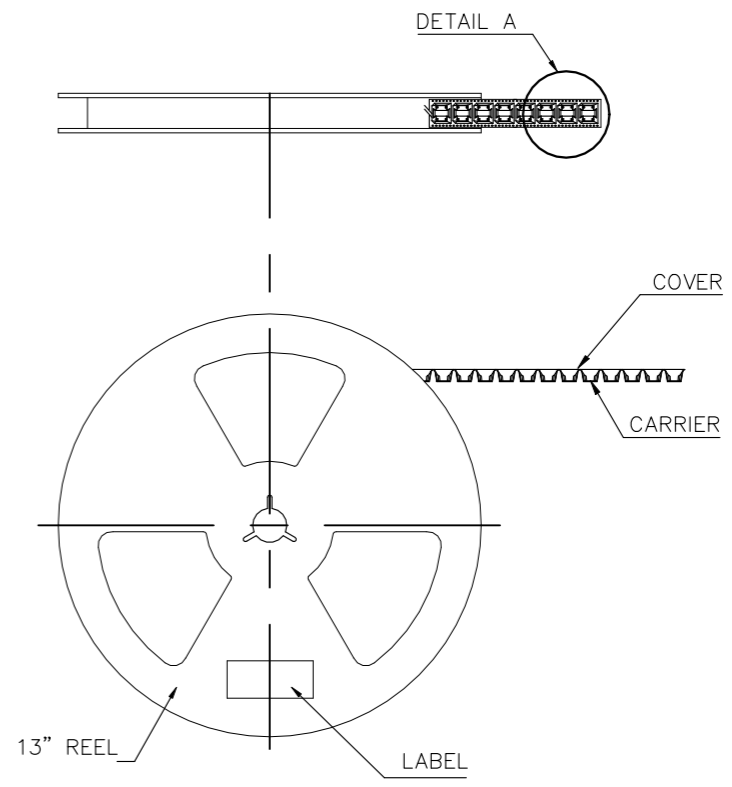
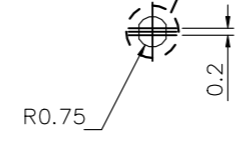
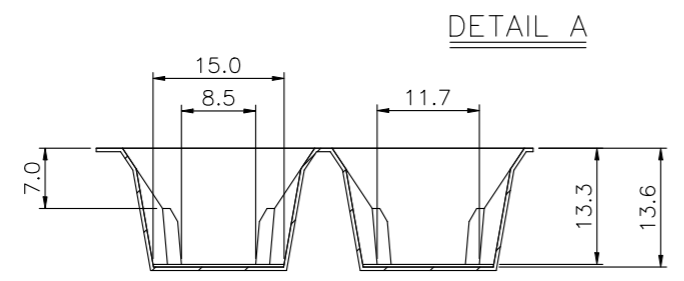
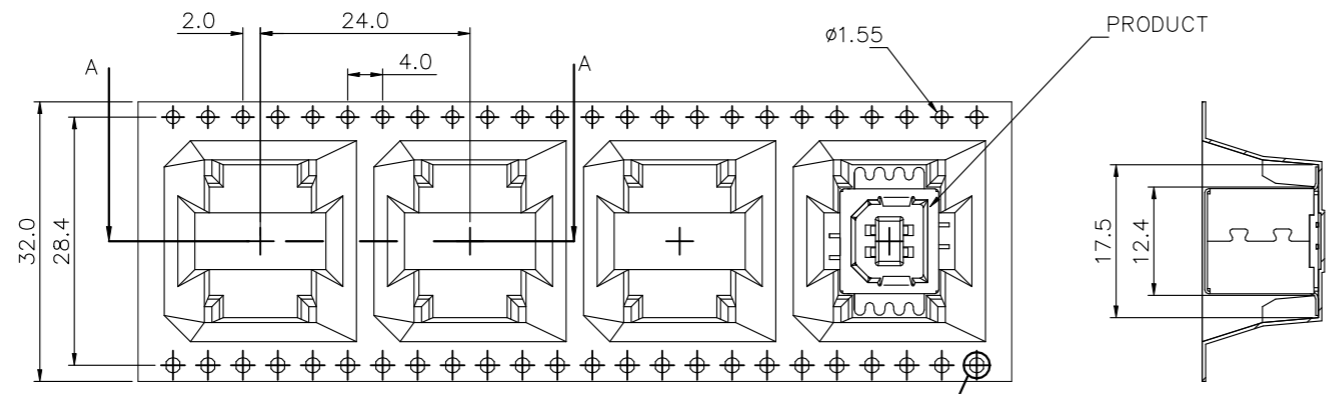
RELEASED FOR PUBLICATION

ALL RIGHTS RESERVED.

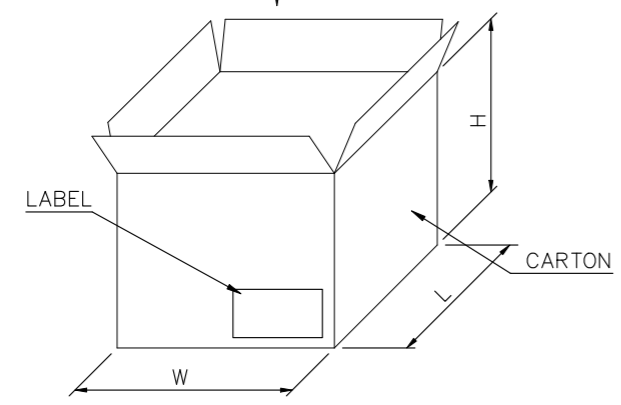
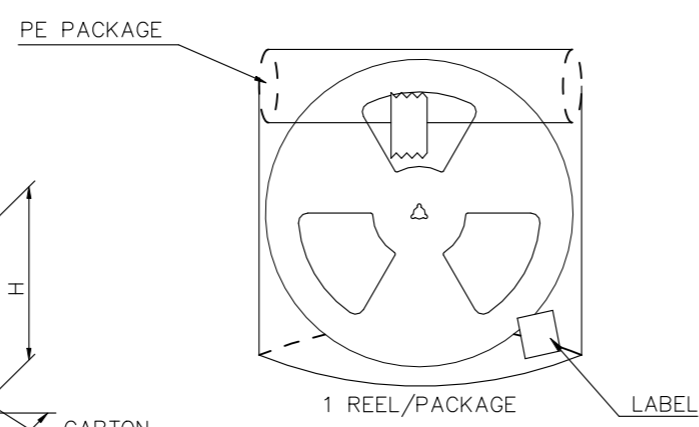
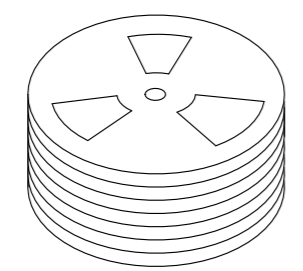
© COPYRIGHT - TE Connectivity Ltd.

REVISIONS

P	LTR	DESCRIPTION	DATE	DWN	APVD
-	-	SEE SHEET 1	-	-	-



PACKING BOX



- NOTES :
- MATERIAL :
 - EMBOSSED CARRIER: PS.
 - COVER: PET.
 - CARTON: K=A.
 - DIMENSION :
 - REEL: W=32.0.
 - CARTON: L=348, W=348, H=340.
 - QUANTITY :
 - PRIMARY PACKING: 200PCS/REEL.
 - SECONDARY PACKING: 8 REEL/CARTON(1,600PCS).
 - WEIGHT :
 - NET WEIGHT: 8.0kg/CARTON.
 - GROSS WEIGHT: 9.0kg/CARTON.
 - PEELING RESISTANCE: 10g~130g.

THIS DRAWING IS A CONTROLLED DOCUMENT.

DIMENSIONS: mm	TOLERANCES UNLESS OTHERWISE SPECIFIED:
	0 PLC ± 0.38
	1 PLC ± 0.25
	2 PLC ± 0.13
	3 PLC ± 0.05
	4 PLC ± -
	ANGLES ± 3°
MATERIAL	FINISH
-	-

DWN	20MAR2019
CHK	21MAR2019
APVD	21MAR2019
PRODUCT SPEC	108-57538
APPLICATION SPEC	-
WEIGHT	-



NAME		USB B TYPE, TOP ENTRY, 4 POSITION, SMT TYPE	
SIZE	CAGE CODE	DRAWING NO	RESTRICTED TO
A3	00779	C-1734517	-
CUSTOMER DRAWING		SCALE	SHEET
		N/A	3 OF 3
		REV	C